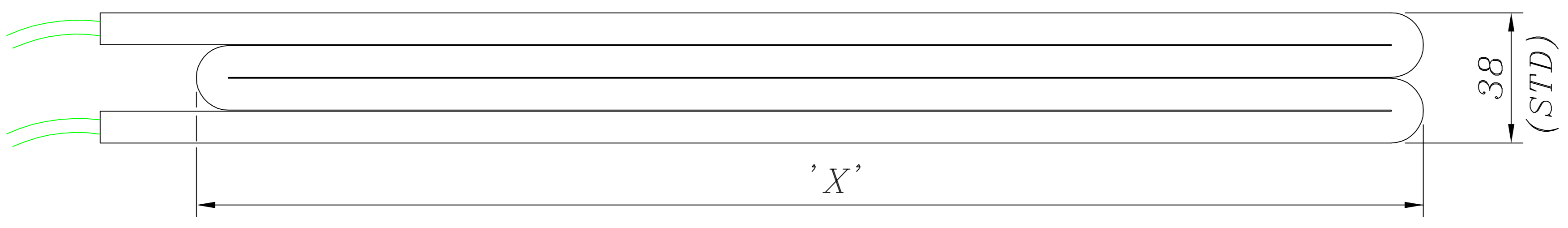


# *INCOLOY 800 STRIP HEATERS*

*(SQUARE-SECTION ELEMENTS)*

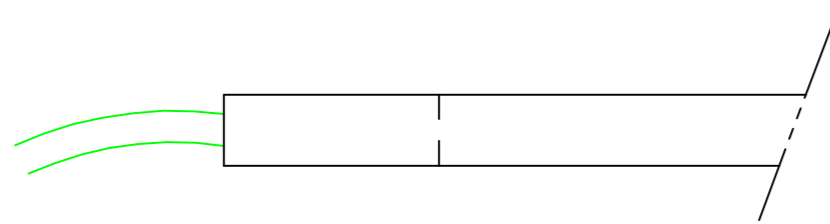


TO ORDER, PLEASE STATE DIMENSION 'X' THAT YOU REQUIRE, WATTS & VOLTS. THEN TICK PREFERRED TERMINATION BELOW.

ADD QUANTITY REQUIRED: \_\_\_\_\_ - OFF & FAX (OR SCAN & E-MAIL) TO OUR SALES DEPT. FOR A QUOTATION [sales@elmatic.co.uk](mailto:sales@elmatic.co.uk) OR FAX 02920 792297

### LEAD TERMINATION

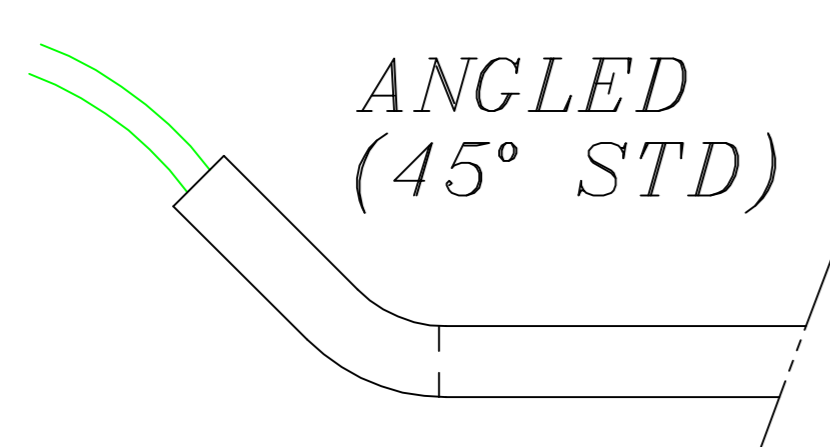
### THREADED TERMINALS (M5 STD)




(LEAD LENGTH: \_\_\_\_\_mm)

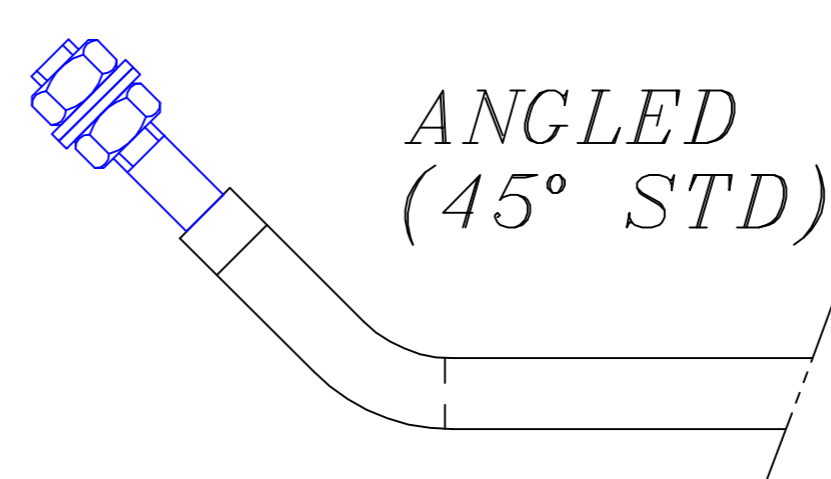



ANGLED (45° STD)

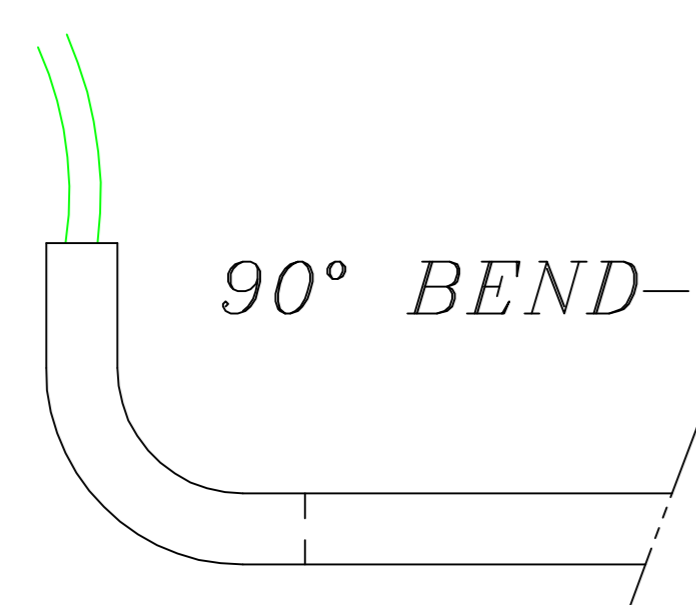



(LEAD LENGTH: \_\_\_\_\_mm)

ANGLED (45° STD)

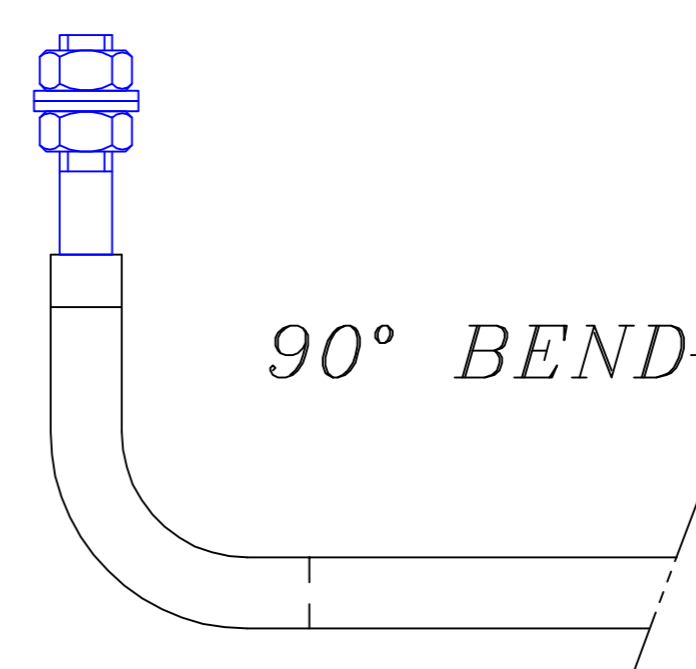



90° BEND-UPS

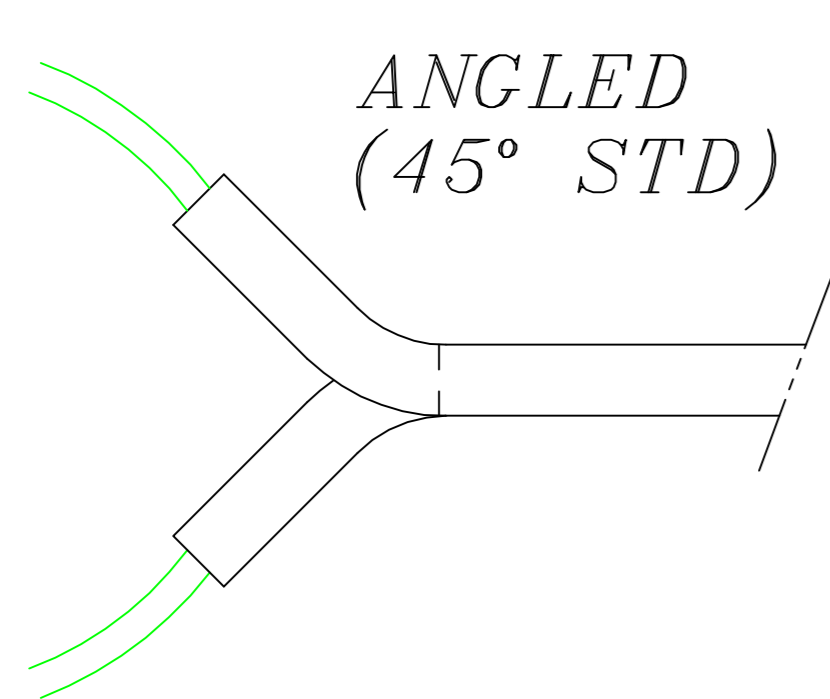



(LEAD LENGTH: \_\_\_\_\_mm)

90° BEND-UPS




ANGLED (45° STD)




(LEAD LENGTH: \_\_\_\_\_mm)

ANGLED (45° STD)

